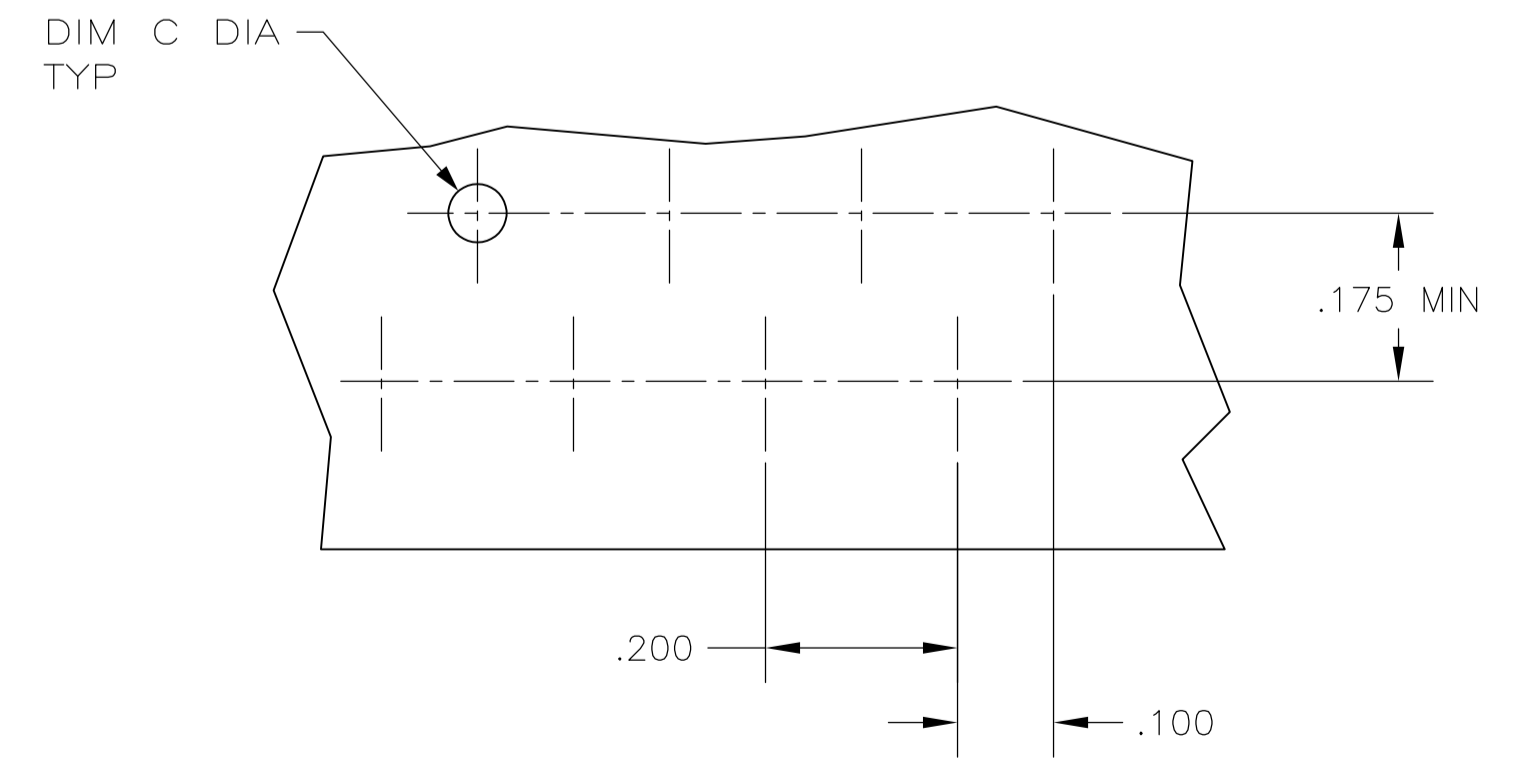
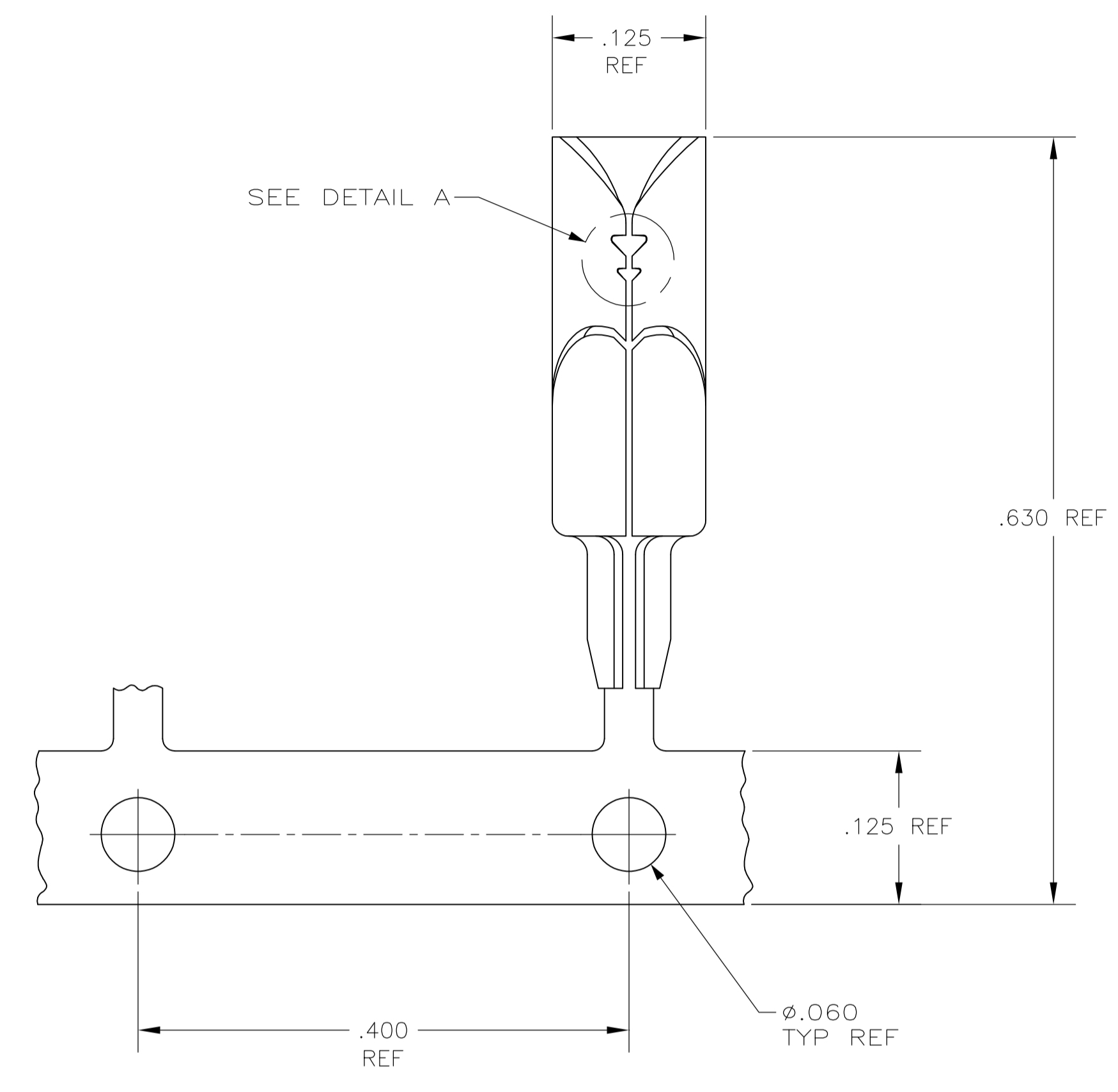


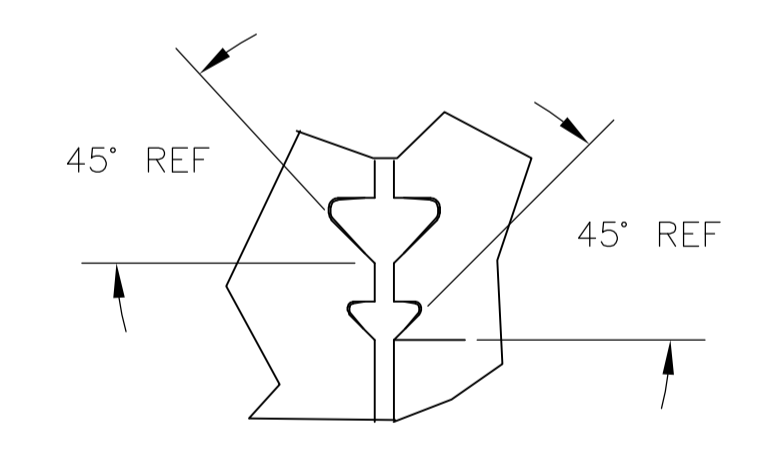
LOOSE PIECE  
-1, -3, -4, -6, & -8 ONLY



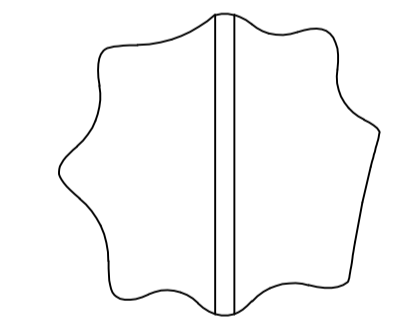
SUGGESTED PRINTED CIRCUIT BOARD  
MOUNTING DIMENSIONS



STRIP MOUNTED  
-2, -5 & -7 ONLY



DETAIL A  
FOR -1, -2, -3 ONLY



DETAIL A  
FOR -4, -5, -6, ONLY

- FOR USE IN PRINTED CIRCUIT BOARD, 3/64-1/8 THICK.
  - WIRE RANGE: 18-28 AWG (SOLID) OR (STRANDED) WIRE. MAX OUTSIDE DIA .086.
  - FURNISHED AS LOOSE PIECE OR STRIP MOUNTED BY SMALL END OF BARREL.
  - TERMINAL SHALL ACCOMMODATE ONE OR TWO WIRES OF THE SAME TYPE AND WITHIN PLUS OR MINUS ONE WIRE GAGE SIZE. EXAMPLE:  
24 AWG MAY BE MIXED WITH EITHER 26 OR 22 AWG.
  - RECOGNIZED UNDER COMPONENT RECOGNITION PROGRAM OF UNDERWRITERS LABORATORIES INC., FILE NO. E-28476.
  - FOR 18-22 AWG WIRE USE INSERTION TOOL, PART NO.
- 8 WHEN USING TEFLON INSULATED WIRES USE 552699-1, -2 OR -3 ONLY.  
 9 WHEN USING 28 AWG SOLID, TWO WIRES PER TERMINAL, USE 552699-4, -5, -6, -7 OR -8 ONLY.  
 10 PRE PRODUCTION FASR REQUIRED

1-453973-4				.458	.062-.094	STRIP MOUNTED, REVERSE REELED	10	1-552699-0
2-453973-1				.483	.094-.125			
230549-1				.483	.062-.125	SUPERSEDED BY -4		552699-6
1-453973-4				.458	.062-.094	SAME AS -2 EXCEPT AS SHOWN IN DETAIL A	9	552699-5
2-453973-1				.483	.094-.125			
230549-1				.458	.062-.094	SAME AS -1 EXCEPT AS SHOWN IN DETAIL A	9	552699-4
230549-1	.060-.064	.061-.065	.118	.458	.062-.094	SUPERSEDED BY -1		552699-3
1-453973-4				.458	.062-.094	AS SHOWN, STRIP MOUNTED	8	552699-2
2-453973-1				.483	.094-.125			
230549-1				.458	.062-.094	AS SHOWN, LOOSE PIECE	8	552699-1
TERMINAL INSERTION TOOL (REF)	PUNCHED HOLE	DRILLED HOLE	DIM. B	DIM. A	PC BOARD THICKNESS	DESCRIPTION		PART NO.
	DIM. C							

THIS DRAWING IS A CONTROLLED DOCUMENT.

DIMENSIONS: INCHES	TOLERANCES UNLESS OTHERWISE SPECIFIED:	0 PLC ±	1 PLC ±	2 PLC ±	3 PLC ±	4 PLC ±	ANGLES ±

MATERIAL: PHOS BRONZE FINISH: PRE-TINNED

APPROVED: **STE** TE Connectivity

NAME: PETE DESANTIS

PRODUCT SPEC: TERMINAL, AMP BARREL, .125 DIA

SIZE: A1 CAGE CODE: 00779 DRAWING NO: 552699

SCALE: 1:1 SHEET: 1 OF 1 REV: V3